

IPC-C100-D/W 1.0 MP Network Cube Camera



Key Features

- Up to 1.0 megapixel high resolution
- Two video streams
- 2.8mm fixed lens
- Digital Wide Dynamic Range
- 3D Digital Noise Reduction
- Built-in microphone and speaker, support two-way audio
- Support on-board storage, up to 128GB
- Up to 10 m IR range
- Built-in Wi-Fi
- 5 VDC \pm 10 %, micro USB interface
- Mobile Monitoring via Hik-Connect

Specifications

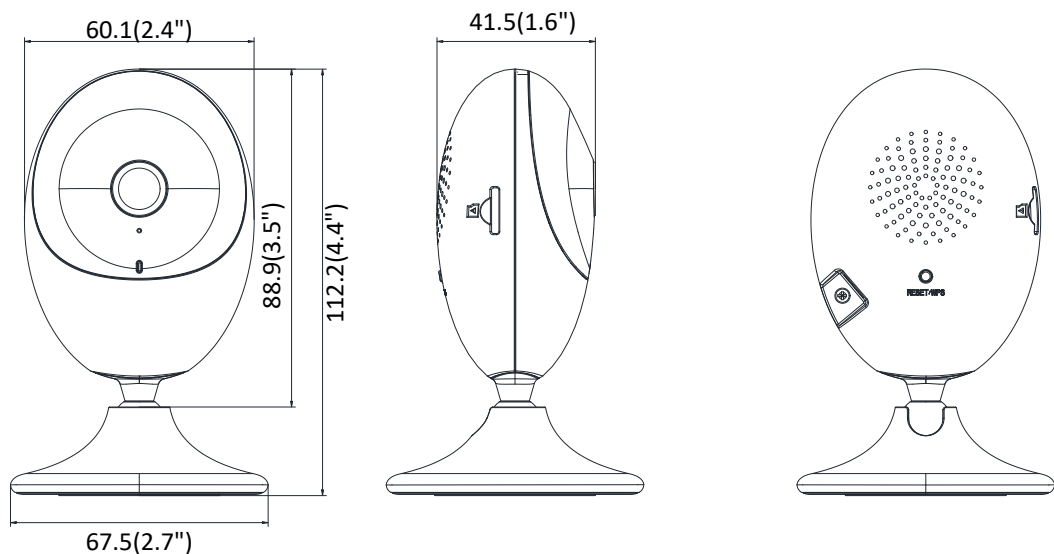
Camera	
Image Sensor	1/4" Progressive Scan CMOS
Min. Illumination	0.02 Lux @ (F1.2, AGC ON), 0 Lux with IR
Shutter Speed	1/3 s to 1/100,000 s
Slow Shutter	Support
Aperture	F2.0
Lens	2.8mm, horizontal field of view 92°
Lens Mount	M12
Day & Night	IR cut filter with auto switch
DNR	3D DNR
Wide Dynamic Range	Digital WDR
Compression Standard	
Video Compression	Main stream: H.264 Sub-stream: H.264
H.264 Type	Baseline Profile/Main Profile
Video Bit Rate	32 Kbps – 8 Mbps
Audio Compression	G.711/G.722.1/G.726/MP2L2/PCM
Audio Bit Rate	64Kbps(G.711)/16Kbps(G.722.1)/16Kbps(G.726)/32-160Kbps(MP2L2)
Image	
Max. Resolution	1280 × 720
Main Stream Max. Frame Rate	50Hz: 25fps (1280 × 720) 60Hz: 30fps (1280 × 720)
Sub-Stream Max. Frame Rate	50Hz: 25fps (704 × 576, 352 × 288, 640 × 480, 320 × 240) 60Hz: 30fps (704 × 480, 352 × 240, 640 × 480, 320 × 240)
Image Settings	Brightness, saturation, sharpness, contrast are adjustable via client software
Day/Night Switch	Support auto/scheduled
Backlight Compensation	Support, zone optional
Region of Interest	Support 1 fixed region for each stream
Audio	
Environment Noise Filter	Support
Audio I/O	Support mono soundtrack
Audio Sampling Rate	Max. 16 kHz
Network	
Network Storage	Support micro SD/SDHC/SDXC card, up to 128 GB local storage
Detection	Motion detection
Alarm Trigger	Video tampering alarm, HDD full, HDD error, network disconnected, IP address conflicted, illegal login
Protocols	TCP/IP, ICMP, HTTP, HTTPS, FTP, DHCP, DNS, RTP, RTSP, RTCP, NTP, UPnP, IGMP, QoS, IPv6, Bonjour, SMTP, 802.1x
Standard	ISAPI
General Function	One-key reset, anti-flicker, heartbeat, mirror, password protection, privacy mask, watermark
API	ONVIF(PROFILE S,PROFILE G), ISAPI
Simultaneous Live View	Up to 6 channels
User/Host	Up to 32 users 3 levels: Administrator, Operator and User
Client	iVMS-4200, Hik-Connect, iVMS-5200, iVMS-4500

Web Browser	IE8+, Chrome 31.0-44, Firefox 30.0-51, Safari 8.0+
Interface	
On-board Storage	Built-in micro SD/SDHC/SDXC slot, up to 128 GB
Audio Interface	1 built-in microphone, 1 built-in speaker
Reset	Yes
Wi-Fi (-W)	
Wireless Standards	IEEE802.11b, 802.11g, 802.11n
Frequency Range	2.4 GHz - 2.4835 GHz
Channel Bandwidth	20/40MHz Support
Protocols	802.11b: CCK, QPSK, BPSK, 802.11g/n: OFDM
Security	64/128-bit WEP, WPA/WPA2, WPA-PSK/WPA2-PSK, WPS
Transfer Rates	11b: 11Mbps, 11g: 54Mbps, 11n: up to 150Mbps
Wireless Range	50 meters (The performance varies based on actual environment)
General	
Operating Conditions	-10 °C to 40°C (14 °F to 104 °F), Humidity 95% or less (non-condensing)
Power Supply	5 VDC ± 10 %, micro USB interface
Current	Max. 0.9 A
Power Consumption	Max. 4.5W
IR Range	Up to 10 meters
Material	Plastic
Dimensions	Φ 67.5 × 112.2 mm (Φ 2.7" × 4.4")
Weight	Camera: 125 g (0.3 lbs) With package: 346g (0.8 lbs)

Ordering Models

IPC-C100-D/W (2.8mm)

Dimensions



Unit: mm(inch)

